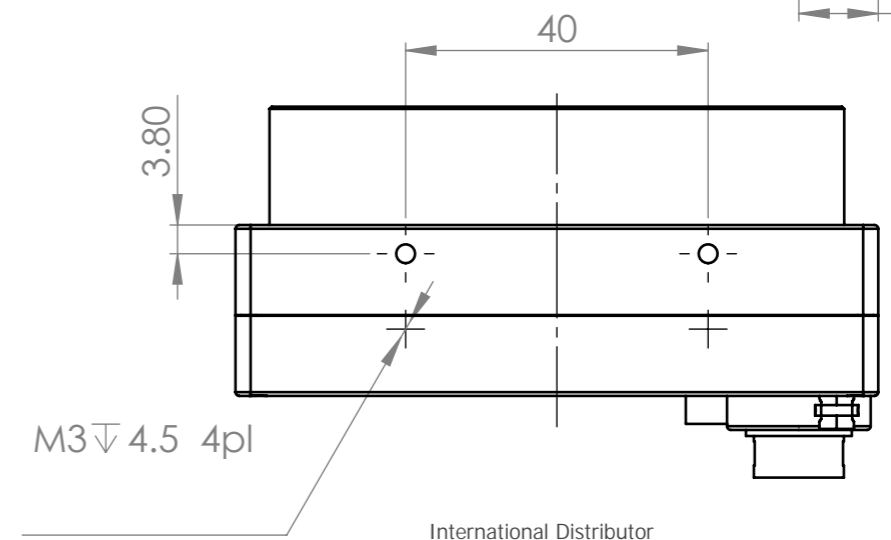
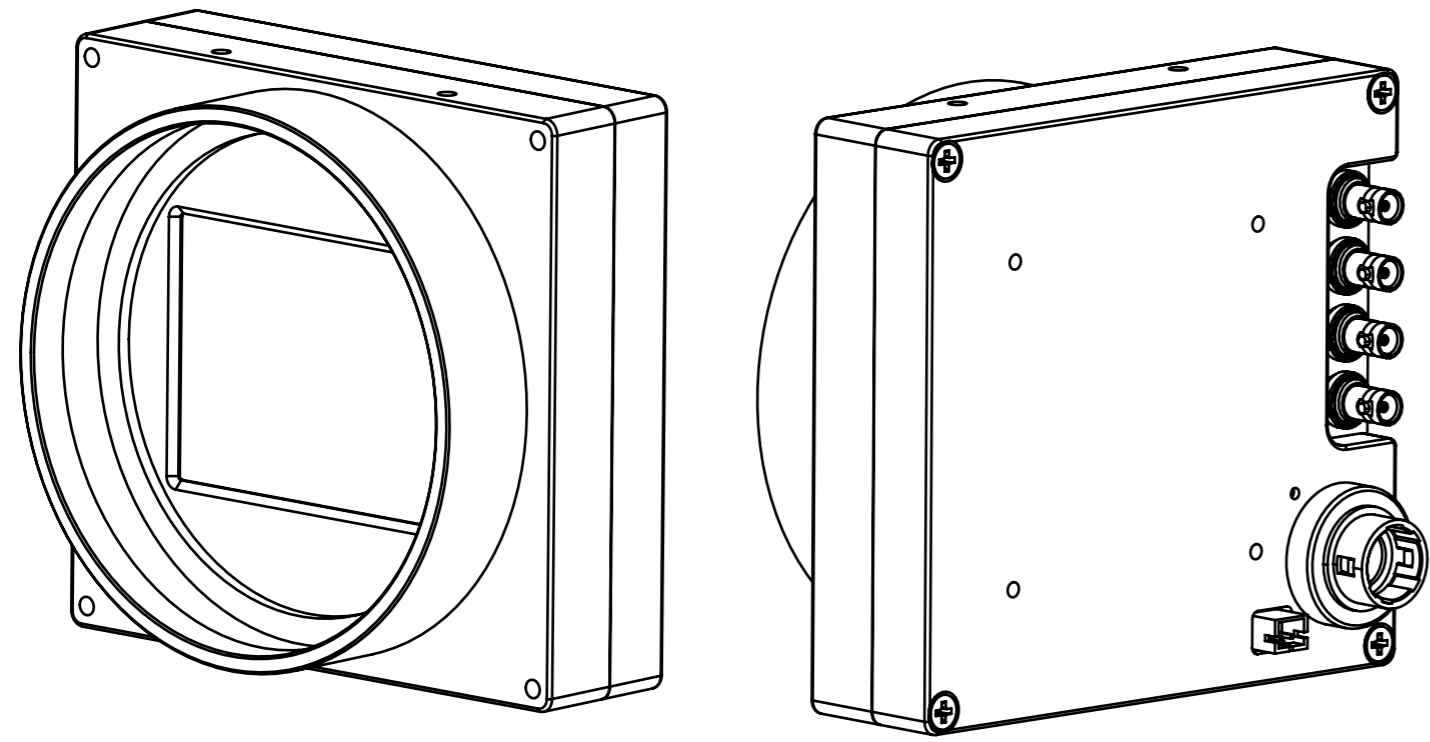
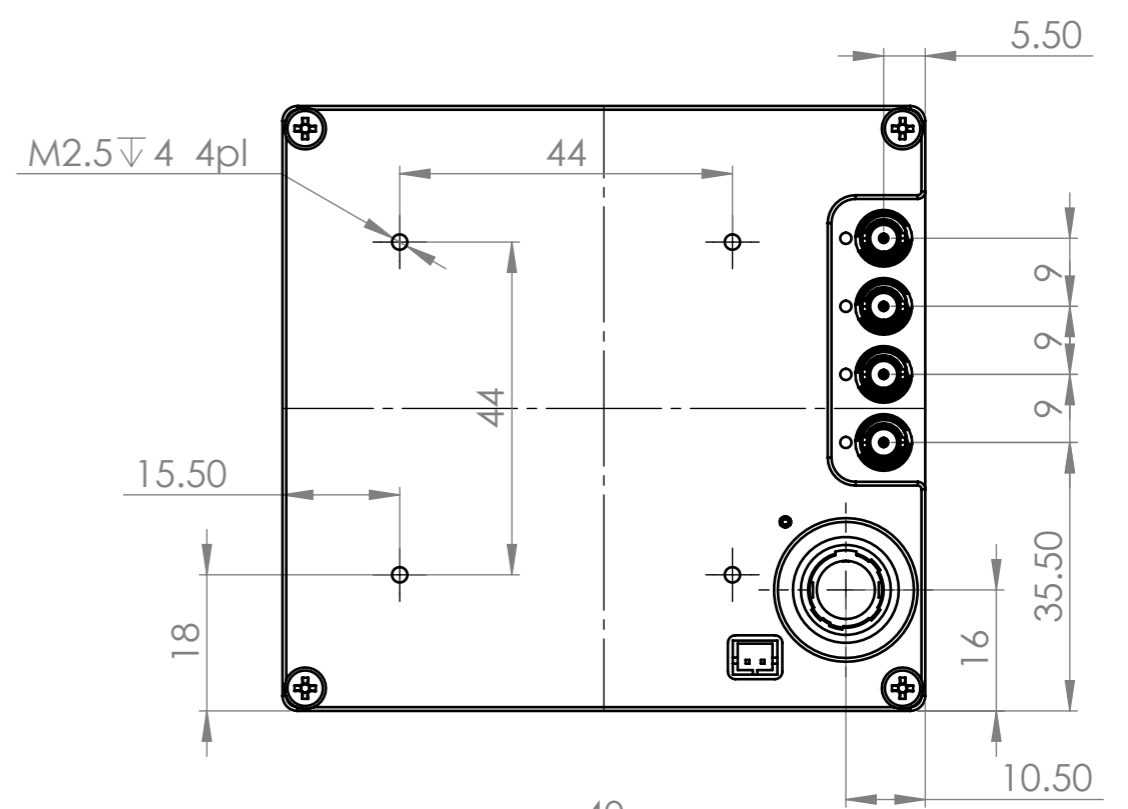
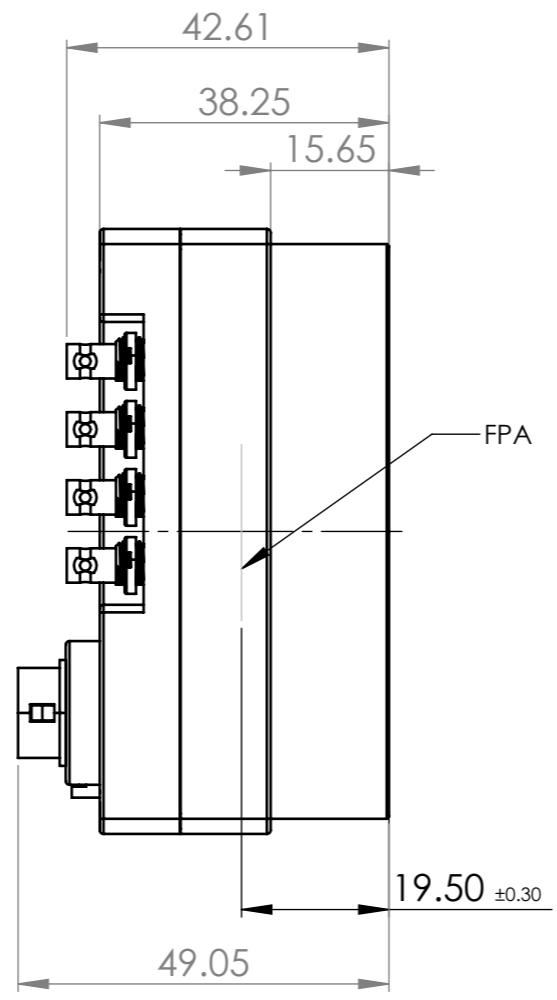
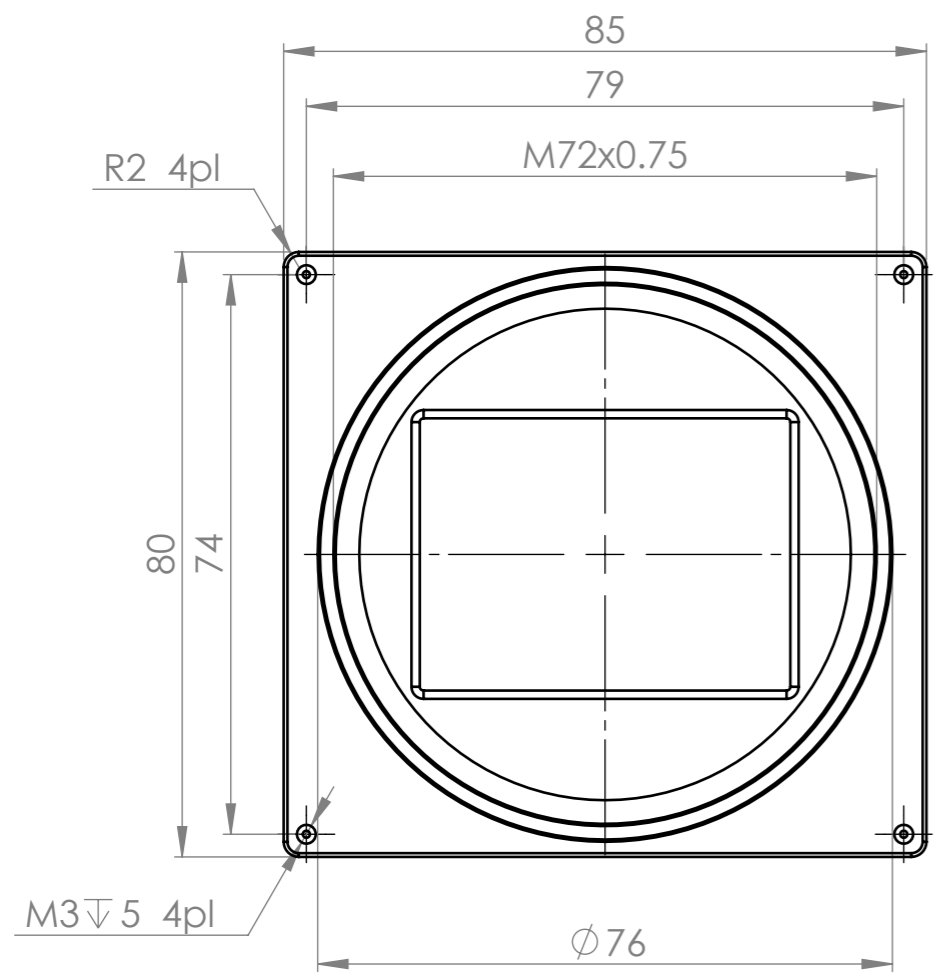


ZONE		REV.	DESCRIPTION	REVISIONS	DATE	APPROVED



International Distributor

sky blue microsystems

Sky Blue Microsystems GmbH
Geisenhausenerstr. 18
81379 Munich, Germany
+49 89 780 2970, info@skyblue.de
www.skyblue.de

MATERIAL:	Weight 241.04	GENERAL TOL:	1:1	PART NAME: Iron 661	
FINISH:		LENGH: ±0,1 HOLE CENTERS: ±0,1 HOLE DIA: ±0,1 ANGLES: ±0,5°		PROJECT: Iron 661	
DIMENSIONS IN mm BEFORE COATING <input type="checkbox"/> AFTER COATING <input checked="" type="checkbox"/>			SCALE:	ASSY:	QTY. 1
			3.2	DWG No	REV.
				IRN 19.00.00	A
THE INFORMATION CONTAINED IN THIS DRAWING IS THE SOLE PROPERTY OF KAYA Instruments. ANY REPRODUCTION IN PART OR AS A WHOLE WITHOUT THE WRITTEN PERMISSION OF KAYA Instruments IS PROHIBITED.			DSG. M. Sister DRW. M. Sister CHK. M. Yampolsky APR. M. Yampolsky	01.06.2023 01.06.2023	SHEET 1/1 FILE IRN 19.00.00 Iron661

A3